



Part number

CAP 16 L



Brief description:

surface mounting housings with single lever, size "77.27", Pg21, metal version, IP66

Product description		Approvals / Standards	
Version	metal version	Quality mark	 (type:4/4X/12),  , EAC
Series	surface mounting housings with single lever	Conformity	CQC, CE
Product type	with 1 lever	General ordering information	
Style	high construction	EAN13 code	8015747008044
Family	CLASS enclosures	Tariff number	85369095
Size	size "77.27"	Packaging Information	
Technical data		Packaging length	475,00 mm
Material	metal	Packaging height	220,00 mm
IP degree of protection	IP66 (and IP69K DIN 40050 - 9)	Packaging width	175,00 mm
Cable entry	Pg21	Packaging weight	4,06 kg
Further technical details		Packaging volume	18,29 dm ³
Weight	406,00 g	Packaging description	Carton box
		Packaging quantity	10 Pcs
		Packaging EAN code	8015747236638
		Sub-packaging weight	2,03 kg
		Sub-packaging description	Plastic pakaging
		Sub-packaging quantity	5 Pcs
		Sub-packaging EAN barcode	8015747008051

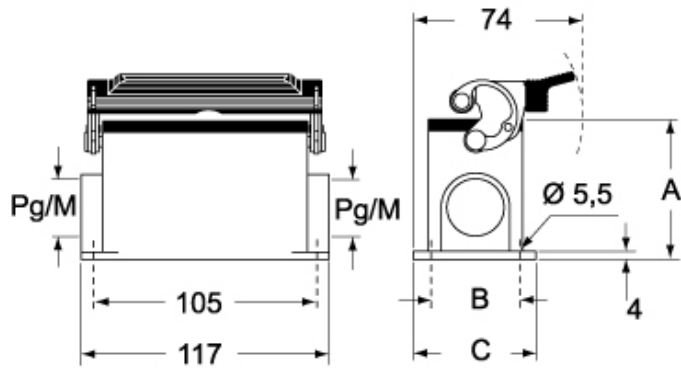
Part number

CAP 16 L

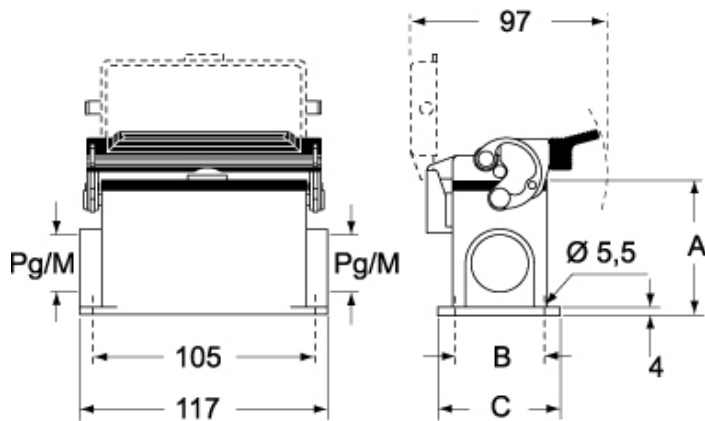


Catalogue drawings

CHP L CAP L - MHP L MAP L



CHP LS CAP LS - MHP LS MAP LS



	A
CHP L / MHP L	63
CAP L / MAP L	77
CHP LS / MHP LS	63
CAP LS / MAP LS	77